



POWER TRANSMISSION

optibelt **OPTIMAT**



# optibelt OPTIMAT



With **optibelt OPTIMAT** belts, it is not necessary to store different belt lengths for all possible uses in the warehouse. The open-ended perforated **optibelt OPTIMAT** V-belts can be joined together using a link or plate connector. **optibelt OPTIMAT** V-belts are therefore very easy to adjust to the required lengths for all centre distances. They can be supplied in any required length completely depending on the requirements of the application. This makes storing different lengths of conventional belts unnecessary, which in turn makes storage a lot easier and more economical.

## Application examples:

Ideal for drives where shafts cannot be dismantled due to the design of the machine

- Boat drives
- Roller conveyors
- Ventilation and air conditioning technologies
- Transport systems such as pallets
- Conveyor systems for wooden or plastic plates (furniture industry)
- Special applications in emergency solutions

## Summary of benefits:

- Reduced storage effort: As open-ended belts are produced by the metre, it is possible to shorten them to any size required.
- Perfect for use with standard DIN/ISO V-belt pulleys
- Expensive tension devices can be dispensed with by shortening the belts (e.g. inside idlers or when the motor has too little displacement possibilities).
- Only the **optibelt OPTIMAT FK** allows for using a guide and/or idler pulley over the belt top surface, as the connector lies "inside" the profile.

## Advantages of the optibelt OPTIMAT connector:

**optibelt OPTIMAT** V-belts are preperforated. It is therefore not necessary to use special punching tools for linking.

The short form of fixed connectors provides enough freedom of movement and flexibility for the belt.

Plate connectors are pre-bent, so that even when reaching maximum admissible bending due to belt pull, the plates are not subjected to harmful bending forces.

From a technical point of view, link connectors represent the better connection for belts; since plate connectors are subjected to intermittent stress (upper part of the connection), they are less flexible than link connectors.

The connectors' low weight reduces the occurrence of practical centrifugal forces when the belt pulley rotates at high belt speeds. This allows for a smooth, shock and impact-free drive.

Therefore, the open-ended **optibelt OPTIMAT** V-belt with its **optibelt OPTIMAT** connector is an ideal and economical solution for all drives.

- Low maintenance required
- Easy and quick assembly due to the flexible connectors (even in poorly accessible places of the drive)
- Low noise
- Electrically conductive (on request)

## ACCESSORIES

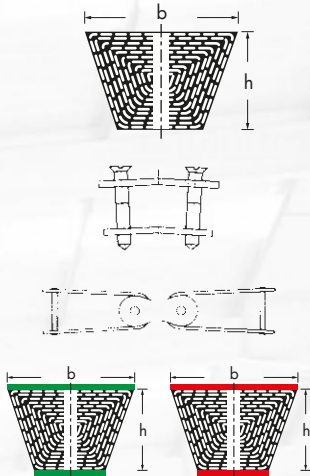


Plate connector



Link connector

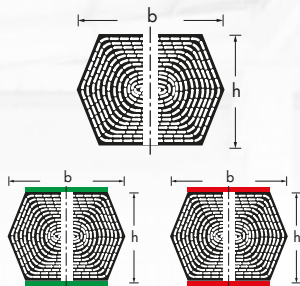
## optibelt OPTIMAT OE OPEN-ENDED V-BELTS, PERFORATED



Profile*	Width x height (mm)	Weight (≈ kg/m)	Plate connector weight (≈ kg/100 pieces)	Link connector weight (≈ kg/100 pieces)	Minimum pulley diameter (mm)	Punch stamp Ø x distance
<b>Y/6</b>	6 x 4	0.030	0.1	—	50	1.3 x 9.8
<b>8</b>	8 x 5	0.050	0.2	—	63	1.3 x 10.3
<b>Z/10</b>	10 x 6	0.070	0.3	0.7	80	1.6 x 6.4
<b>A/13</b>	13 x 8	0.120	0.5	1.8	100	2.1 x 7.6
<b>B/17</b>	17 x 11	0.200	0.8	2.9	140	2.5 x 9.4
<b>20</b>	20 x 12.5	0.270	1.4	4.6	180	3 x 9.6
<b>C/22</b>	22 x 14	0.340	1.7	5.7	224	3.8 x 10.9
<b>25</b>	25 x 16	0.440	2.1	5.7	250	3.8 x 11.6
<b>D/32</b>	32 x 20	0.680	5.0	16.0	355	5.1 x 20.5
<b>E/40</b>	40 x 25	1.000	10.0	—	500	5.6 x 25.6

\* Available with green and red cover belts

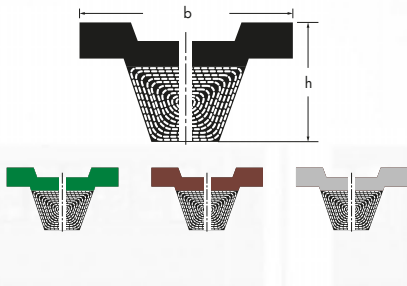
## optibelt OPTIMAT DK OPEN-ENDED DOUBLE-SIDED V-BELTS, PERFORATED



Profile*	Width x height (mm)	weight (≈ kg/m)	Plate connector weight (≈ kg/100 pieces)	Link connector weight (≈ kg/100 pieces)	Minimum pulley diameter (mm)
<b>AA/13</b>	13 x 10.5	0.140	0.6	1.7	140
<b>BB/17</b>	17 x 14	0.250	1.2	2.6	160
<b>20</b>	20 x 16	0.320	1.6	3.7	200
<b>CC/22</b>	22 x 18	0.410	2.2	4.4	224

\* Available with green and red cover belts

## optibelt OPTIMAT FK OPEN-ENDED CONVEYOR BELTS, PERFORATED



Profile*	Width x height (mm)	Weight (≈ kg/m)	Plate connector Weight (≈ kg/100 pieces)	Link connector Weight (≈ kg/100 pieces)	Minimum pulley diameter (mm)
<b>13 x 20</b>	20 x 16.5	0.320	0.6	2.6	140
<b>17 x 30</b>	30 x 20	0.460	0.9	3.7	160
<b>22 x 40</b>	40 x 24	0.740	1.8	5.4	250
<b>32 x 60</b>	60 x 33	1.300	5.6	5.7	450

\* Available with green, brown and white cover belts

### optibelt OPTIMAT OE / DK

Colours	Meaning	Attributes
<b>Green</b>	Standard version	Temperature range: -15°C to 70°C
<b>Red</b>	High-quality version in polyester	Temperature range: -25°C to 100°C
<b>Black (Special version on request)</b>	The cover belt is made from chloroprene and is therefore somewhat resistant against (occasional) oil splashes, paint and oil mist, as well as strong and slow humidity and temperature fluctuations.	Temperature range: -15°C to 70°C

### optibelt OPTIMAT FK

Colours	Meaning	Attributes
<b>Green</b>	Standard version	Temperature range: -15°C to 70°C
<b>Brown</b>	Standard version, abrasion-resistant, oil-resistant	Temperature range: -15°C to 70°C
<b>White</b>	Standard version, abrasion-resistant	Temperature range: -15°C to 70°C
<b>Brown</b>	High-quality version in polyester, abrasion-resistant, oil-resistant	Temperature range: -25°C to 100°C
<b>White</b>	High-quality version in polyester, abrasion-resistant	Temperature range: -25°C to 100°C

**Optibelt GmbH**

Corveyer Allee 15  
37671 Höxter  
GERMANY

T +49 5271 621  
F +49 5271 976200  
E [info@optibelt.com](mailto:info@optibelt.com)



[www.optibelt.com](http://www.optibelt.com)